

Coaxial InGaAs PIN Diode

Features:

High Responsivity, Low Return Loss
 Low Dark Current , Low Capacitance
 Coaxial Package, Laser Welding

Application:

Analog Optical Receiver
 Testing Equipment

Specification

Absolute Maximum Ratings

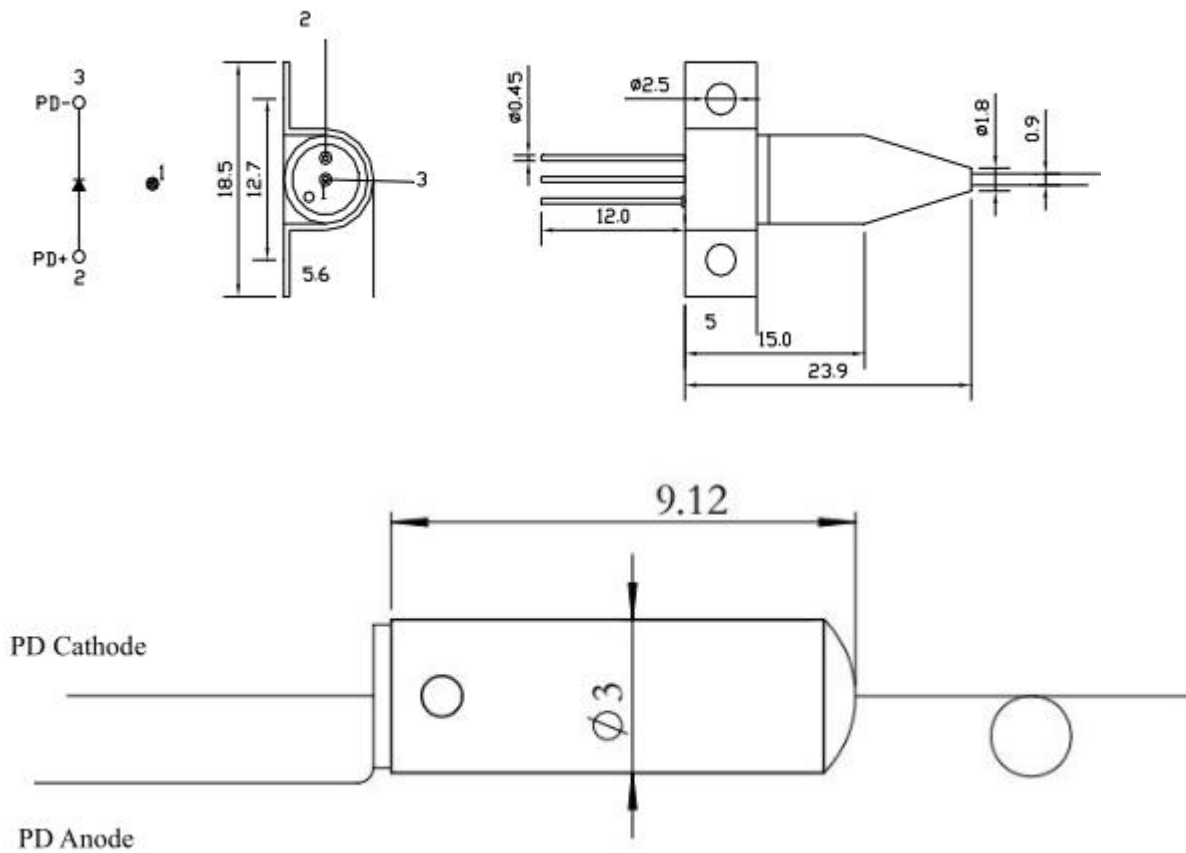
Parameter	Symbol	Ratings	Unit
Saturation power	Ps	5	mW
Forward current	If	10	mA
Reverse voltage	Vr	30	V
Reverse current	Ir	5	mA
Operating temperature	Top	-40 ~ +85	°C
Storage temperature	Tstg	-40 ~ +85	°C

Optical and Electrical Characteristics (Tc=25°C)

Parameter	Symbol	Min	Type	Max	Unit	Test condition
Operating Wavelength	λ	1100		1650	nm	
Responsivity	R	0.85	0.90		A/W	Vr=-5V, λ =1310nm
		0.90	0.95			Vr=-5V, λ =1550nm
Dark Current	Id		0.2	0.5	nA	Vr=5v
Capacitance	C		0.6	0.75	pF	Vr=5V, f=1MHz, case open
Rise time/Fall time	Tr/Tf			0.3	ns	Vr=5V, 10~90%
Bandwidth	Bw	2.5			GHz	Vr=5V, Vr=5V, 50 Ω bad with lead length=6mm, case open
Composite Second Order Beat	CSO	-	-70	-	dB	Note 1
Composite Third Order Beat	CTB	-	-80	-	dB	Note 1
Operating Voltage	V	-	-5	-	V	
Optical Return Loss	RL	-	-45	-	dB	λ = 1310nm

Coaxial InGaAs PIN Diode

Package Dimensions



Ordering Information

PD	Area	Receive Wavelength	00	Package	Pigtail	Fiber	length	Connector
	80=80 Xx=Specify	1550=1100-1650	00	S=5.6x24 M=3.0x9	0=250um bare fiber 1=0.9m loose tube	1=SMF-28e	H=0.5m 8=0.8m 1=1.0m S=Specify	0=None 1=FC/UPC 2=FC/APC 3=SC/APC 4=SC/UPC 5=MU 6=LC/UPC 7=LC/APC S=Specify